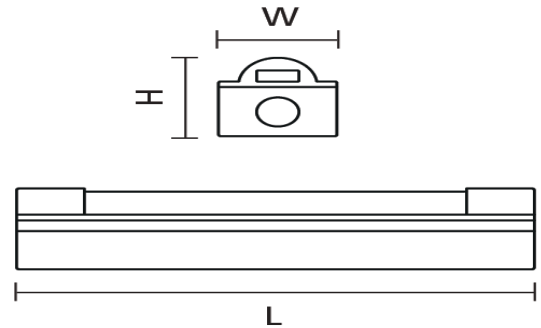


Linear

Sutton Batten 19W 4000K 4ft Single - White



• Frosted, ribbed polycarbonate diffuser to reduce glare• Improved thermals utilising aluminium back PCBs• Push fit terminals• 20mm conduit entry• Additional screw to secure end cap• H3 – High Output Emergency 440lm option available



General Data

Technology	LED
Mounting options	Ceiling Wall Suspended
Install Options	BESA
Electrical Connector Type	Push fit terminal
Input Cable	No
Input Electrical Connection	Live Neutral Earth
General Application	Commercial Educational
Operating Temperature Range °C	0 - +40
Warranty (Years)	5

430038

Technical Specification

Optical Data

LED Manufacturer / Type	MLS CO
Fixture Luminous Flux (Lm)	3040
Luminaire Efficacy @4000K (lm/W)	160
LOR %	100
Colour Selectable	No
Beam Angle°	120
Glare Control (UGR)	24
Photobiological Risk Group	RG0

Light Source Data

Energy Class	C
Lumens	3513
Lm/W	160
Colour Temperature (K)	4000
Light Colour	Cool White
CRI Ra	80

430038

Technical Specification

Electrical Data

Wattage (W)	19
Total Power Consumption (W)	20.2
Mains voltage (V)	220 - 240
Lamp power factor	0.95
Electrical protection	Class I
Driver Output (V)	25-57
Driver Output Current (mA)	350
Control Gear Type CC or CV	Constant Current
SVM	0.01
PstLM	0.02
LED Flicker Rate	0.26
Dimmable	No
Driver Brand	Lifud
Inrush Current (A)	≤14A
Nominal Frequency (Hz)	50/60
Surge Protection (kV)	2
Max. Luminaire per 10A C Breaker	75
Max. Luminaire per 13A C Breaker	95
Max. Luminaire per 16A C Breaker	120
Max. Luminaire per 20A C Breaker	150
Max. Luminaire per 10A B Breaker	65
Max. Luminaire per 13A B Breaker	90
Max. Luminaire per 16A B Breaker	110
Max. Luminaire per 20A B Breaker	130

Lifetime Data

Lifespan L70 B50 @25°C (Hrs)	50000
-------------------------------------	-------

430038

Technical Specification

Physical Data

Housing colour	White RAL 9003
Body material	Sheet Metal
Driver Housing	Polycarbonate
IP Rating	20
IK Rating	4
Diffuser Material	Polycarbonate
Diffuser finish	Frosted
Nominal Product Length (mm)	1220
Nominal Product Width (mm)	64
Nominal Product Height (mm)	62
Weight (kg)	1.25

Standards and Approvals

Manufactured In Accordance To	EN 60598-1
CE Mark	Yes
UKCA Mark	Yes
WEEE Symbol	Yes
Certificate Of Conformity	Available on Request
Accredited Members	LIA, ISO9001

