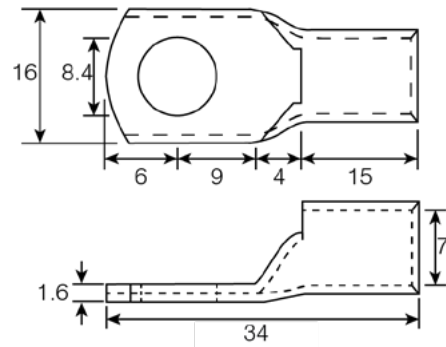


Product Code: QCT25-8

Luckinslive 399413913

Description: 25mm<sup>2</sup> Copper Tube Lug With 8mm Stud



**Dimensions**

Stud Size (mm)	8
Overall Length (mm)	34
Bellmouth Length (mm)	15
Bellmouth Internal Diameter (mm)	7
Stud Entry Diameter (mm)	8.4
Overall Width (mm)	16
Terminal Thickness (mm)	1.6
Stud Centre From Front (mm)	6
Stud Centre From Rear (mm)	9
Bellmouth To Terminal (mm)	4

**General Information**

Contact Plating (Microns)	5 to 8
Flared Entry	Yes
Conductivity	97% to IACS
Inspection Window	Yes
Fixing Type	Suitable for crimp or solder
Working Temperature (°C)	<180

**Materials**

Material: Tin Plated Copper Tube

**Additional Information**

When using flexible fine strand or welding cable it may be necessary to select the next larger terminal size, i.e 70mm<sup>2</sup> fine strand, select 95mm<sup>2</sup> terminal.

**Standards**

ANSI/UL 486A-486B, CAN/CSA-C22.2 No. 65  
 ANSI/UL 486C, CSA-C22.2 No. 188  
 Tensile performance requirements to IEC 61238-1-1: 2018

