

CONTROLS

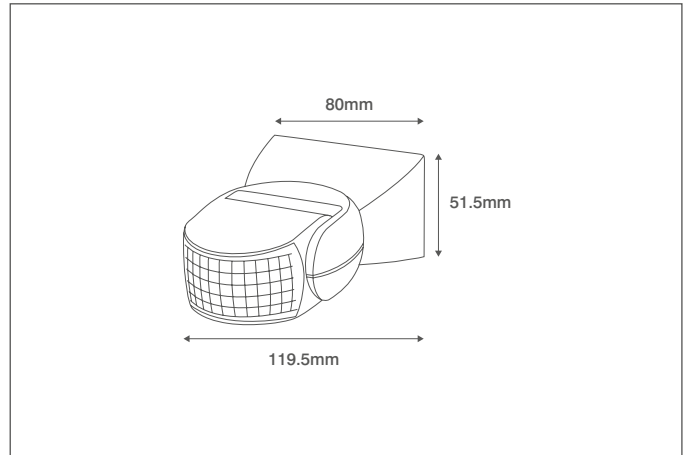
Technical Specification

Product Code: OVPIR004BK

Luckinslive 407974551



Description: Wall Mounted Multi-Directional 180° PIR IP65 Black



General Information

Dimensions (mm)	80 (W) x 119.5 (D) x 51.5 (H)
Materials	Body: Polycarbonate (UV Stabilised)
Colour	Black
Product Weight (Kg)	0.16
Working Humidity (%RH)	<93
Ingress Protection	IP65
Warranty (Years)	5

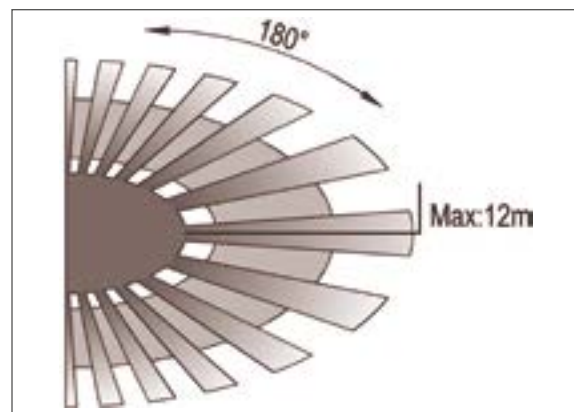
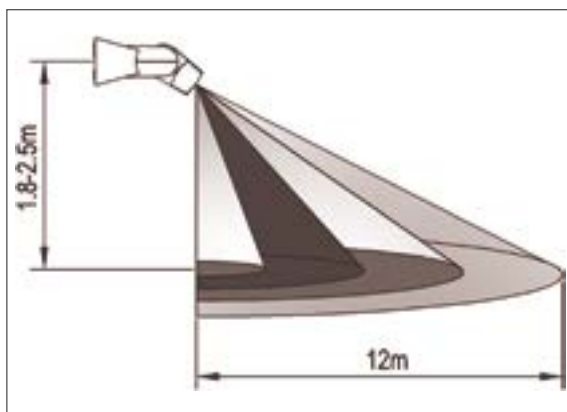
Supply & Power

Continuous Operating Voltage (AC) (Hz)	220-240 (50/60)
Terminations Input:	Permanent Live & Neutral
Output:	Switched Live (All Screw Terminals)
Safety Class	II
Load Rating - LED & CFL(W)	300
Load Rating - Incan. & Halogen (W)	1200
Zero Cross Technology	Yes
Power Consumption	0.5

Sensor Parameters & Settings

Installation Height (m)	1.8 to up to 2.5	
Detection Distance (m)	up to 12	
Detection Angle (°)	180	
Detection Motion Speed	0.6 to 1.5	
Manual Adjustments	Adjustment Type	Rotary Controls
	Time Delay	10 Seconds (Min. +3 Seconds) to 15 Minutes (Max. + 2 Minutes)

Detection Area Schematics



OVIA Limited, Scolmore House, Mariner, Lichfield Road Industrial Estate,
 Tamworth, Staffordshire, B79 7UL United Kingdom
 T: +44 (0)1827 300640
 E: sales@oviaUK.com | W: oviaUK.com



Catalogue



Section



DoC



Installation

